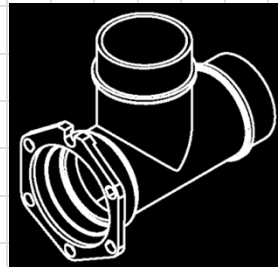


IN FACT



INFAC T CORPORATION
WATERWORKS PRODUCTS



FLEX T-2 SPECIFICATIONS

**WATERWORKS
PRODUCTS**

TOLL FREE: 888-773-9130

email: info@infactcorp.com
www.infactcorp.com

Self-Restraining Tee

THE ULTIMATE TIGHT-SPACE RESTRAINT



FLEX T-2
Valve and Fitting Restraint

Lower total installed cost



No couplings,
no pipe sawing, no
lug products needed!

Easier installation



Glands spin and
deflect, and T-2
uses standard
bolts and gaskets.

Get Simple. Bolt Direct.



Flex T-3 also
available

IN FACT

TOLL FREE
1-888-773-9130
www.infactcorp.com

ENGINEERING DATA / PRODUCT CHECKLIST

**FLEX
T-2**



U. S. Patent No. 6015170

**2-WAY
BUILT-IN TEE RESTRAINT**



2 valves
or fittings
on a tee

Compare the total installed cost of the FLEX T-2 to standard epoxy-coated tees + required MJ or flange restraints



SIZES	6-inch and 8-inch MJ x MJ, 6-inch MJ x Flange, 6-inch Flange x Flange
TYPICAL USES	Restrains valves directly to tee without need for couplings, etc Restrains fittings directly to tee without need for couplings, etc
ADVANTAGES (Product)	<ul style="list-style-type: none"> ✓ Heavy-duty casting, glands up to 1 1/2 times thicker ✓ No shorter restraint than this, since you bolt direct to tee ✓ No pipe to saw or couplings to install ✓ No couplings or other parts mean fewer possibilities for leaks ✓ Glands interchangeable (on-site), MJ or Flange glands ✓ MJ glands spin and deflect for easiest installation ✓ Split glands are machined ✓ Integral casting, no welds ✓ Uses standard bolts and gaskets ✓ Epoxy coating standard ✓ Less expensive when you compare to standard tees, additional parts ✓ Faster installation
ADVANTAGES (Manufacturer)	<ul style="list-style-type: none"> ✓ Products made in U. S. A. and Infact is an American-owned company ✓ SAME DAY shipping (orders received before noon) ✓ BIG inventory; backorders are extremely rare ✓ No extra charge to drop ship ✓ No minimum order
WATCH	<p>1) Each Flex T-2 requires the following: 2-each standard bolt and gasket accessory paks</p> <p>2) The 6-inch flange gland uses flange bolts and an MJ gasket.</p>
OPTIONS	Stainless steel and Teflon® blue kits

IN FACT	SALES: (888) 773-9130	
	FAX: (615) 206-9787	
EMAIL: info@infactcorp.com		

Ever Need Two Valves on a Tee?



FLEX
T-2

U. S. PATENT NO. 6015170
MADE IN U. S. A.

**Restrain 2 valves or fittings on a tee
(without the need for other parts)**

- ◆ No pipe to saw
- ◆ No couplings or adapters
- ◆ Lower total installed cost
- ◆ Faster, easier installation
- ◆ The ultimate space-saver
- ◆ Fewer joints will minimize leaks
- ◆ Simpler, lighter-weight assembly
- ◆ Glands spin and deflect to install easily
- ◆ Also available: 3-way Flex T-3



INFAC T FLEX T-2

TOLL FREE: 888-773-9130

www.infactcorp.com

email: info@infectcorp.com

IN | FACT

ENGINEERING DATA / SPECIFICATIONS

**FLEX
T-2**



U. S. Patent No. 6015170

**2-WAY
BUILT-IN TEE RESTRAINT**

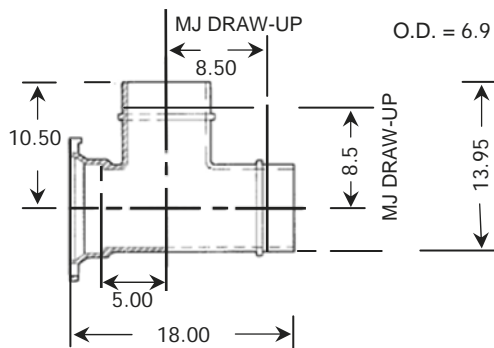


2 valves
or fittings
on a tee

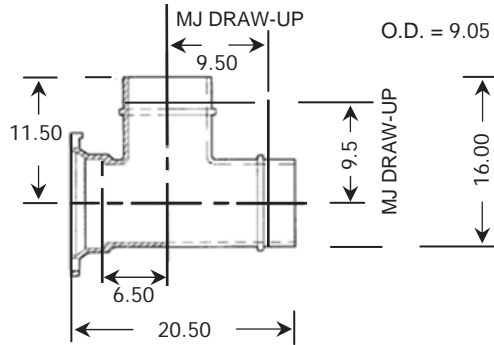
Compare the total installed cost of the FLEX T-2 to standard epoxy-coated tees + required MJ or flange restraints



6 x 6

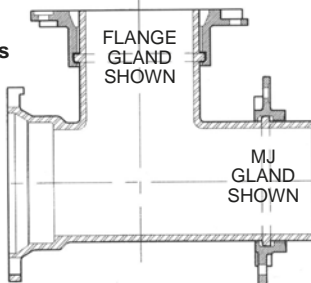


8 x 8



SAMPLE CONFIGURATION

MJ or flange glands interchangeable on-site



T-2 APPLICATIONS

Two devices restrained on a tee

- | | |
|-------------------|-----------------------|
| MJ Valves | Flange Valves |
| MJ Hydrants | Flange Hydrants |
| MJ 90's and bends | Flange 90's and bends |
| | Large Meters |
| | Backflow Devices |

T-2 BENEFITS

- DIRECT-CONNECT restraint for two MJ or flange valves or fittings
- Heavy-duty, machined split glands are up to 1.5 times thicker
- Glands deflect and spin to easily align and install
- Mix or match glands — MJ or flange
- Epoxy coating standard

The Infact FLEX T-2 is a patented product, made in the U. S., that meets the ductile iron and working pressure specifications of AWWA compact fittings, ANSI/AWWA C153/A21.53 — American National Standard for Ductile Iron Compact Fittings 3-Inch Through 24-Inch (76mm Through 610mm) for Water Service.

SAMPLE SPECIFICATION: Mechanical joint (MJ) and/or flange joint valves, fittings and hydrants shall be restrained using a positive restraint mechanism manufactured in the U. S. A. of ductile iron conforming to ASTM A536, Grade 65-45-12. Both MJ glands shall have the capability of rotating 360-degrees and deflecting the full deflection amount of a mechanical joint. The glands shall bolt to integrally cast ribs without the use of lug bolts, and shall be interchangeable to allow either INFAC T MJ glands or flange glands to be attached in the field. The MJ glands shall be attachable with standard bolts and gaskets conforming to ANSI/AWWA C111/A21.11. The flange glands shall be attachable with standard bolts and gaskets conforming to ANSI/AWWA C110/A21.10 and flange drilling conforming to ANSI Class 125 B16.1. The device shall be supplied with a 7-mil NSF 61 approved fusion bonded epoxy conforming to AWWA C116/A21.16-09 as well as the coating, surface preparation and application requirements of ANSI/AWWA C550. The device shall be INFAC T CORPORATION FLEX T-2 or equal.

IN FACT

SALES: (888) 773-9130
 FAX: (615) 206-9787
 EMAIL: info@infactcorp.com



www.infactcorp.com

Comparison of Waterworks Products that Restrain Valves, Fittings and Hydrants

	INFACT FOSTER ADAPTOR	LUG PRODUCT	INFACT FLEX T-2 & T-3	ANCHOR COUPLING	INFACT FLEX ADAPTOR	GRIP RINGS	INFACT FLEX REDUCER
Built-in full axial, circumferential restraint. Restraining forces are spread more evenly than in products using radial bolts or lugs.	X		X	X	X	X	X
Bolt-through restraint	X						
Angular deflection for easy restraint of unaligned fittings			X		X	X	X
Full axial rotation for easy alignment of bolt holes			X	X	X	X	X
Two independent pivot points adjacent to fittings for better close quarters installation and easier connection to misaligned fittings			X		X		X
Requires ONE device to connect fittings (rather than two or more)	X		X	X	X		X
Do not have to cut and install a piece of pipe in order for device to restrain fittings	X			X	X		
Uses standard bolts and gaskets and no radial bolts on pipe that operator may forget to or improperly tighten			X	X	X	X	
Field adaptable to being connected to any length pipe		X				X	
Field adaptable to restrain either MJ or flange joints using interchangeable glands			X		X		X






IN FACT

SALES: (888) 773-9130
 FAX: (615) 206-9787
 EMAIL: info@infactcorp.com



www.infactcorp.com

Installer's Guide

PRODUCT	DESCRIPTION	INSTALLED DRAW-UP DISTANCE	TYPE OF JOINT		RECOMMENDED APPLICATIONS		
			MJ	FLANGE	VALVES	FITTINGS	HYDRANTS
FOSTER ADAPTOR	 <p>Bolt-thru MJ Adaptor</p>	<p>Sizes 3-12: 1-inch --- Sizes 14-24: 2-inches --- Sizes 30-36: 3-inches</p>	✓		✓	✓	
FLEX T-2	 <p>Self-Restraining 2-way Tee</p>	<p>0 inches --- (Direct Restraint)</p>	✓	✓	✓	✓	
FLEX T-3	 <p>Self-Restraining 3-way Tee</p>	<p>0 inches --- (Direct Restraint)</p>	✓	✓	✓	✓	
FLEX ADAPTOR	 <p>Ultra-Compact Coupling</p>	<p>8 1/2 inches</p>	✓	✓	✓	✓	✓
FLEX REDUCER	 <p>Ultra-Compact Reducer</p>	<p>8 1/2 inches</p>	✓	✓	✓	✓	✓

